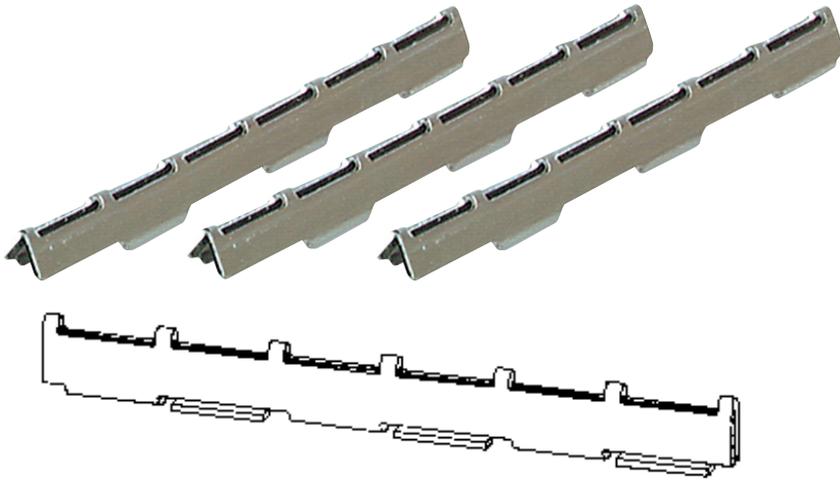


Crimp Splice Protection For Arc Splices

Art.-No. 53100.3



Technical Data:

- Material: Aluminium plate and durable plastic compound (PIB)
- Weight: 60g (150 pieces)
- Splice protection optical fibre diameter: 250 + 20 µm
- Splice protection processing temperature range: -5°C ~ +45°C
- Splice protection operating temperature range: -20°C ~ +70°C
- Dimensions: 31 x 3 x 1 mm
- PU 150 pieces

Characteristics:

- Simple, reliable and fast mounting
- Universal splice protection for all optical fibres up to 250µm
- Applicable to all thermal splicing units by various manufacturers
- Mountable without any external energy such as heat source, radiator, etc.
- No use of chemicals
- Applicable in all known FO storage cassettes
- Corrosion-resistant
- No increase in attenuation

Application:

The splice protection consists of a single-part V-shaped metal base coated on both sides with a durable plastic compound. The FO splice is mounted centrally in the splice protection and closed precisely by means of a splice protection press. The unprotected splice is embedded in the durable plastic compound, thus protecting it from environmental impacts.

RoHS
compliant

Created MN	Date 28.10.09
Last rev. MN	Date 28.10.09

Crimp splice protection
PU 150 pcs.
53100.3

