

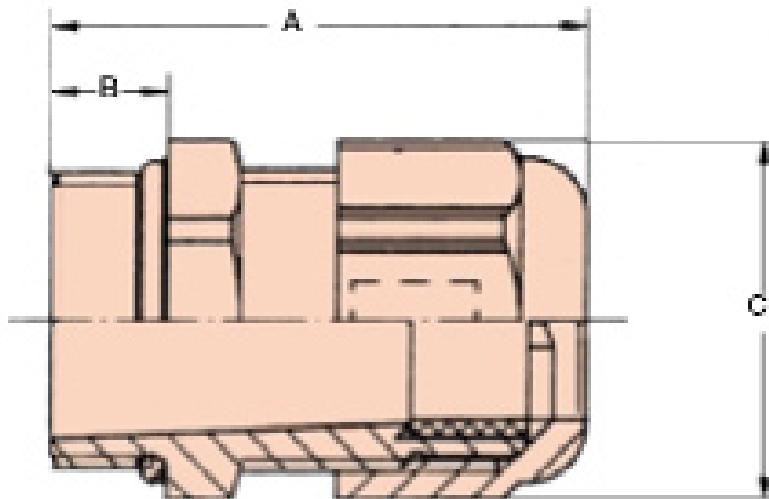
## Cable Gland PG16 PA6 RAL7035, light grey

Art.-No. 53010.5



### Specifications:

- Lead-through and strain relief
- The trapezoid-thread allows fast mounting and secure fixing
- All types are accredited in UL, CSA and VDE listings
- PG-16 with big clamping range 10 mm ~ 14 mm
- Material: plastic
- Max. temperature: +80°C, short-term up to +150°C
- Protection class: IP68, acc. to DIN 40050, up to 5 bar
- Burning behaviour UL 94V-2
- Mounting hole 23 mm
- Colour RAL7035, light grey
- Locknut included in delivery



**A = 44.0 mm**

**B = 10.0 mm**

**C = 27.0 mm**

RoHS  
compliant

Created MN	Date 28.10.09
Last rev. MN	Date 28.10.09

**Cable Gland PG16  
PA6, RAL7035  
53010.5**

File: 53010.5\_ENG

